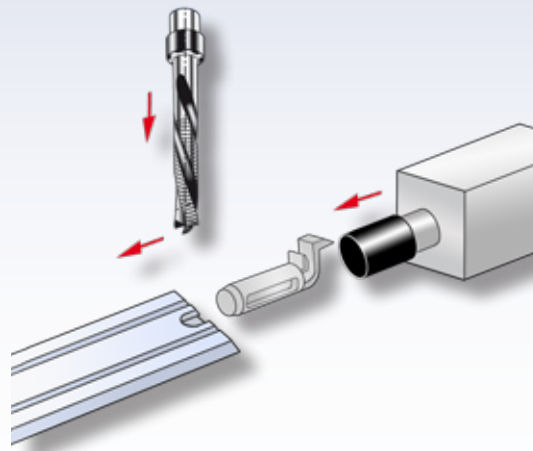
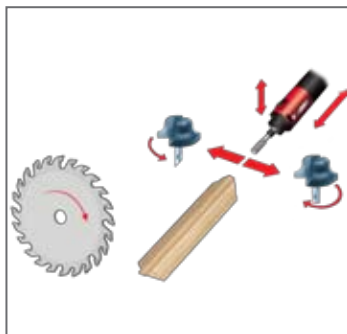


## CF Clip Fitting Machine

The Special Milling Machine type CF is used in the manufacture of removable interior grilles. The CF first mills holes for the clips into the work-piece ends. Then the clips are fitted automatically from a clip feeder.



### Coping Center KF-1



**Stegherr Maschinenbau  
GmbH & Co KG**

Fabrikstraße 2-4  
D-93128 Regenstein

phone: +49-(0)9402-501-0

fax: +49-(0)9402-501-49

email: [sales@stegherr.net](mailto:sales@stegherr.net)  
[www.stegherr.net](http://www.stegherr.net)