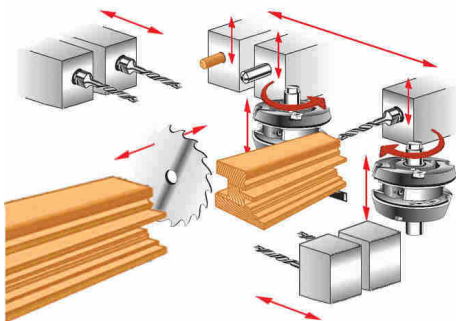


The screwed joints on windows and doors



Coping Center STEGHERR type KF for windows and doors

The **Coping Center type KF** is a machining center for cutting to length, coping and drilling of casement and frame profiles.



The machine ensures absolutely tear free end scribing by means of two HSK63 counterrotating milling spindles which can hold up to three tooling sets.

With the KF it is possible to make all drilling operations for screws, dowels in-

cluding for spacer blocks. Automatic glue injection and dowel insertion are available as optionals as well. The longside profiled stock is cut to length by a cross cut saw.

For a fully automatic processing of window casements and frames without change over times, the machine can be provided with a tool changer which can hold two or more tooling sets. Output: Up to 60 casements and frames per shift.

The new user friendly software ensures easy operation – both in the manual and in the online mode.

Additional information on our web site.

INNOVATION
Stegherr

**Stegherr Maschinenbau
GmbH & Co KG**

Fabrikstraße 2-4
D-93128 Regenstauf

Tel: +49-(0)9402-501-0
Fax: +49-(0)9402-501-49

e-mail:
info@stegherr.net

homepage:
www.stegherr.net