

KF

Coping Center

for cutting to length, end profiling, drilling and dowelling in the manufacture of windows and doors

The Coping Center STEGHERR type KF is a machining center for cutting to length, end profiling, drilling and dowelling of window and door components profiled on the long side for the end scribed corner joints fastened with dowels or screws.

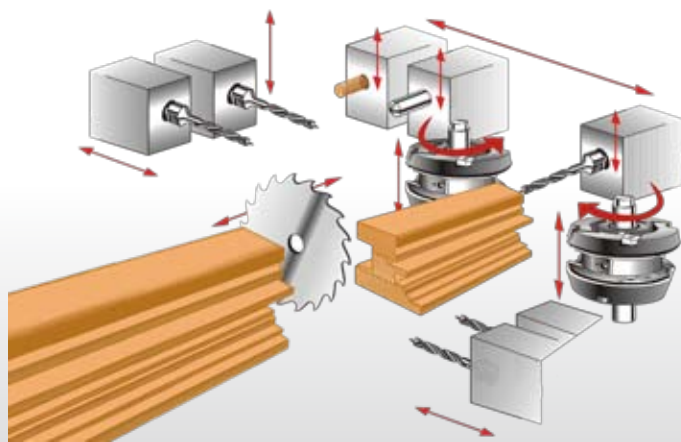
The excellent quality of the corner joints is ensured by milling the ends with two counter rotating spindles. The machine also drills the profiles for dowels.

Coping Center KF with dowelling station



The efficient machining center for triple glazing

Capacity: c. 20 to 60 windows per shift



Depending on the machine version, the KF is suited for these operations:

- Tear free end profiling
- Cutting to length with a cross cut saw
- Drilling for dowels or screws
- Program controlled glue injection and dowel driving
- Fully automatic tool changer

The drilling units for screw holes and the dowelling unit with program controlled glue injection and dowel conveyor are available as optionals.

The flexible concept of the STEGHERR KF allows for various special machine configurations: With milling spindles power from 4.0 to 7.5 kW, different shaft lengths and tool holder, with two or four height adjustable milling spindles, tool changer, pneumatic or servo controlled height adjustment, cross cut saw or NC automatic saw, the KF can be specified to produce your windows and doors with speed and accuracy.

Perfect tear free milling for corner joints



Stegherr Maschinenbau
GmbH & Co KG
Fabrikstraße 2-4
D-93128 Regenstauf
phone: +49-(0)9402-501-0
fax: +49-(0)9402-501-49
email: sales@stegherr.net
www.stegherr.net