

KSF-2A

Cross Joint Milling Machine

Wood · Aluminium · PVC · MDF

The KSF-2/A is a special milling machine with electronic infeed unit and milling programs for the efficient manufacturing of closed halving joints.

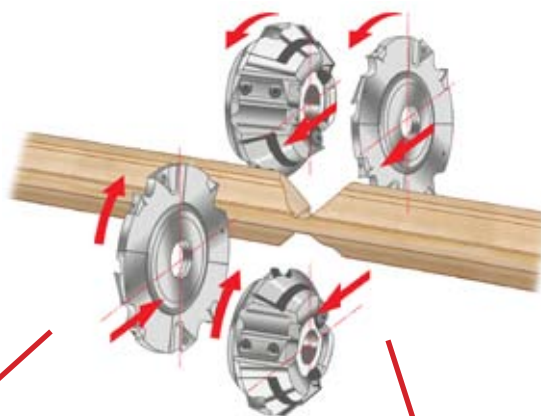
An integrated NC pusher ensures that the workpieces are positioned exactly in the programmed working position. The rack-and-pinion drive guarantees highest accuracy.



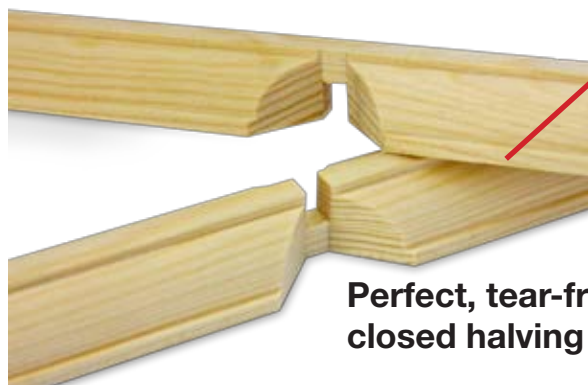
Very easy programming over a touch screen with graphical user interface. The operation is user-oriented and intuitive with clear icons.

The machine operator can store up to 500 individual programs.

The V joints are cut by a top and a bottom counter rotating cutting unit while a third and fourth unit finishes the flat portion in between, so that even profiled bars are milled absolutely tear free on the view side and the machine is producing cross joints fully automatically in one working cycle.



Cutting to length



Perfect, tear-free closed halving joints



INNOVATION

Stegherr Maschinenbau
 GmbH & Co KG
 Fabrikstraße 2-4
 D-93128 Regenstauf
 phone: +49-(0)9402-501-0
 fax: +49-(0)9402-501-49
 email: sales@stegherr.net
 www.stegherr.net