

# KSF-2

For the tear free cutting of closed halving joints



09-02

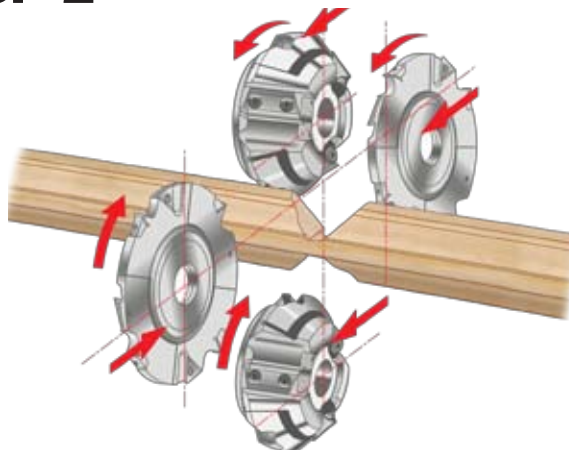
## Cross Joint Milling Machine STEGHERR type KSF-2

Special cutter for the quick and efficient production of closed halving joints. The edges are cut by a top and a bottom cutting unit while at the same time a third unit finishes the flat portion in between.

The feed rate of the cutters can be set infinitely variable. The entire cutter unit moves against the rigidly located workpiece.

The top and bottom tool-set can be adjusted in height separately. This guarantees a quick re-adjustment of the machine to another thickness of the workpiece. The tools are driven by two three-phase A.C. motors of 1.1 kW.

After insertion the workpiece is clamped, cut and released automatically by merely pressing the button. This method of operation with one stop system guarantees optimum performance and outstanding precision.



The additional notching unit (from front) allows milling of both vertical and horizontal sashes, without having to turn them by 180°.

This ensures a tear free cut on the top (view) side of any profiled bar.

for more information please visit:

[www.stegherr.net](http://www.stegherr.net)

INNOVATION  
Stegherr

Stegherr Maschinenbau  
GmbH & Co KG

Fabrikstraße 2-4  
D-93128 Regenstauf

phone: +49-(0)9402-501-0  
fax: +49-(0)9402-501-49

email: [sales@stegherr.net](mailto:sales@stegherr.net)  
[www.stegherr.net](http://www.stegherr.net)